

Qty per:	Tray	Carton		
	45	900		
PART NUMBER : SFPCAGE002-L				
No.	DESCRIPTION	Q'ty	MATERIAL	PLATING
01	CAGE TOP	1	COPPER ALLOY	Nickel
02	CAGE BOTTOM	1	COPPER ALLOY	Nickel

MM (INCH)	
TOLERANCES EXCEPT AS NOTED	
MM	INCH
.0 ± 0.2	±
.00 ± 0.15	±
.000 ± 0.075	±
ANGLES ± 0.5	
THIRD ANGLE PROJECTION	

RoHS Compliant

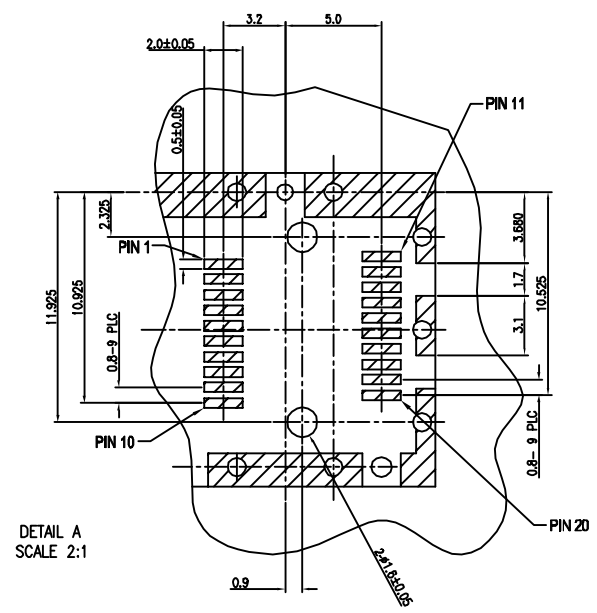
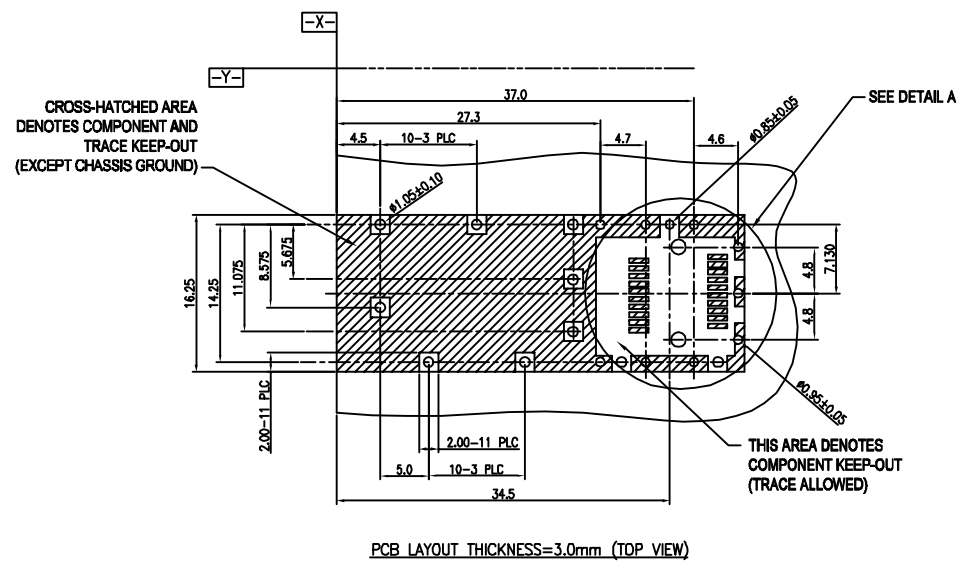
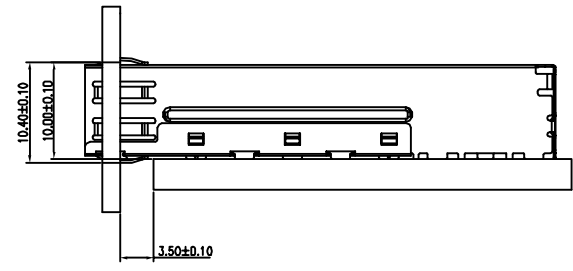
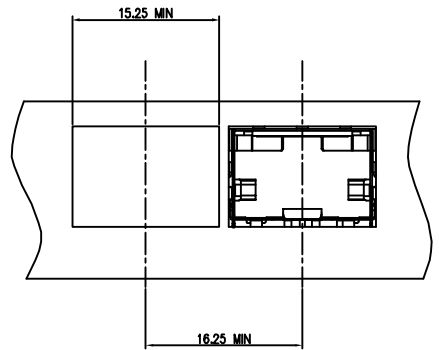


TITLE (Non-Logo)  
SFP CAGE 1 BY 1 PRESSFIT

DFTO Jack	DRAWING NO. SFPCAGE002-L	SIZE	REV
DATE 8/03/06	/PART NO.	A3	0
SCALE : 1:1	DO NOT SCALE DRAWING	SHEET 1	OF 2

8 | 7 | 6 | 5 | 4 | 3 | 2 | 1

H  
G  
F  
E  
D  
C  
B  
A



8 | 7 | 6 | 5 | 4 | 3 | 2 | 1

H  
G  
F  
E  
D  
C  
B  
A

DETACHED LISTS	← MM (INCH) →	<b>RoHS Compliant</b>		
	TOLERANCES EXCEPT AS NOTED			
	MM		TITLE	
	.0 ± 0.2 ±		SFP CAGE 1 BY 1 PRESSFIT (Non-Logo)	
.00 ± 0.15 ±		DFTO Jack		
.000 ± 0.075 ±		DATE 8/03/06		
ANGLES ± 0.5		DRAWING NO. SFPCAGE002-L		
		/PART NO.		
	THIRD ANGLE PROJECTION	SCALE : 1:1		
		DO NOT SCALE DRAWING		
		SHEET 2 OF 2		
		SIZE A3	REV 0	